

To Dräger customers who use:
Plus Series and PSS Series Lung Demand Valve
(All Connection Types)

02. Aug. 2023

Safety Notice: Plus Series and PSS Series Lung Demand Valve – Lever Adjusting Screw

Dear Sir/Madam,

Within the framework of Dräger's continuous product surveillance activities, and in view of achieving our high standards of quality and the high standards that are expected of us, we are herewith disclosing the following information.

Draeger Safety UK Ltd have identified a small quantity of Plus Series and PSS Series Lung Demand Valves (LDVs) where the primary lever was found to be dropping out of the service setting specification

Comprehensive investigation of those devices identified the secondary lever adjusting screw had become loose and was able to migrate and alter the primary lever height, thus affecting the LDV performance.

The service level requirement for the lever height is pre-defined and this migration is outside of those requirements. As the primary lever position drops, should such drop be beyond the lower service setting specification, the air flow from the LDV will gradually decrease. The ultimate failure would be a significant reduction or full loss of air supply. As of the 2nd August 2023 Draeger Safety UK Ltd have not been made aware of any reports of serious injuries related to this failure.

Draeger Safety UK Ltd
Ullswater Close
Blyth Riverside Business Park
Blyth
NE24 4RG
Tel. +44 (0) 1670 352891
www.draeger.com

Company Registration No: 777464
Registered in England

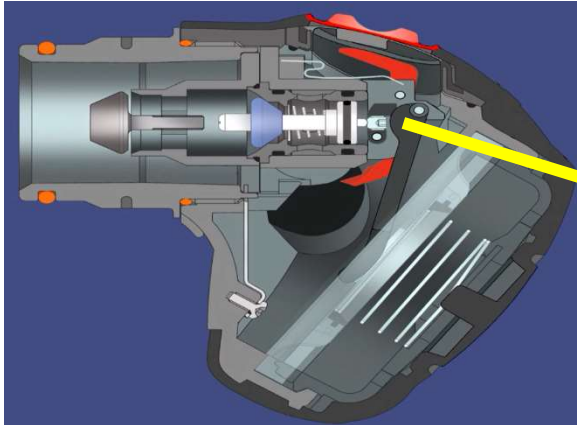
Draeger Medical UK Ltd
The Willows
Mark Road
Hemel Hempstead
HP2 7BW
Tel. +44 (0) 1442 213542
www.draeger.com

Company Registration No: 4310199
Registered in England

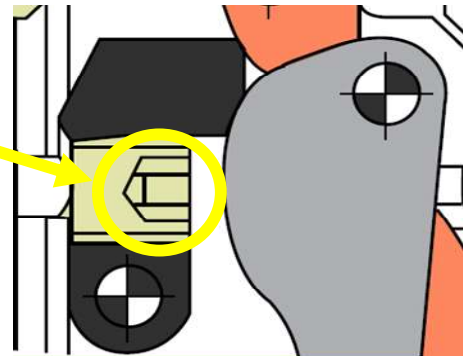
Dräger Ireland Ltd
Unit 2, 4075 Kingswood Road
Citywest Business Campus
Dublin
24
Tel: +353 (1) 428 6400
www.draeger.com

Company Registration No: 364228
Registered in Ireland

Draeger Marine & Offshore
Unit E1, ABZ Business Park
International View
Dyce, Aberdeen
AB21 0BJ
Tel: +44 (0) 1224 701569
www.draeger.com



1. Lung Demand Valve



2. Secondary Lever Adjusting Screw

Dräger requires all LDVs within the affected serial number range are removed from service immediately.

Please contact your local Dräger service entity to arrange inspection and repair or replacement. Only after an inspection, repair or replacement can the device be used.

Affected Lung Demand Valve (LDV) serial number range:

BRRF-6953 (First manufactured on 22nd June 2022) – BRRM-9999
BTRF-0001 – BTRM- 0964 (Last manufactured on 29th November 2022)



Dräger Safety UK Ltd would like to sincerely apologize for the difficulties this issue is causing, however the safety of all users of our products is of paramount importance.

With kind regards,



Andrew Lane

Head of Product Management
Breathing Systems & PPE



Barry Wade

Director of Quality & Regulatory Affairs
Quality & Regulatory Affairs Department